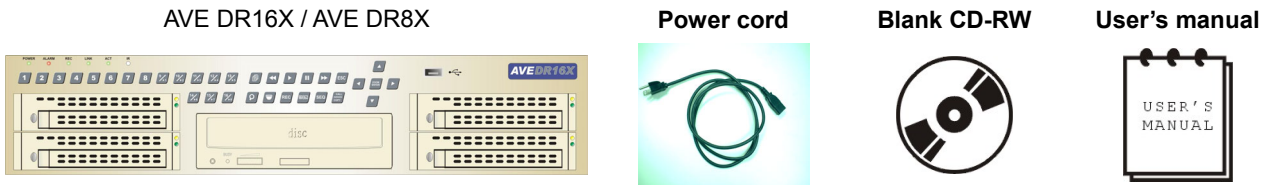


AVE DR16X / AVE DR8X

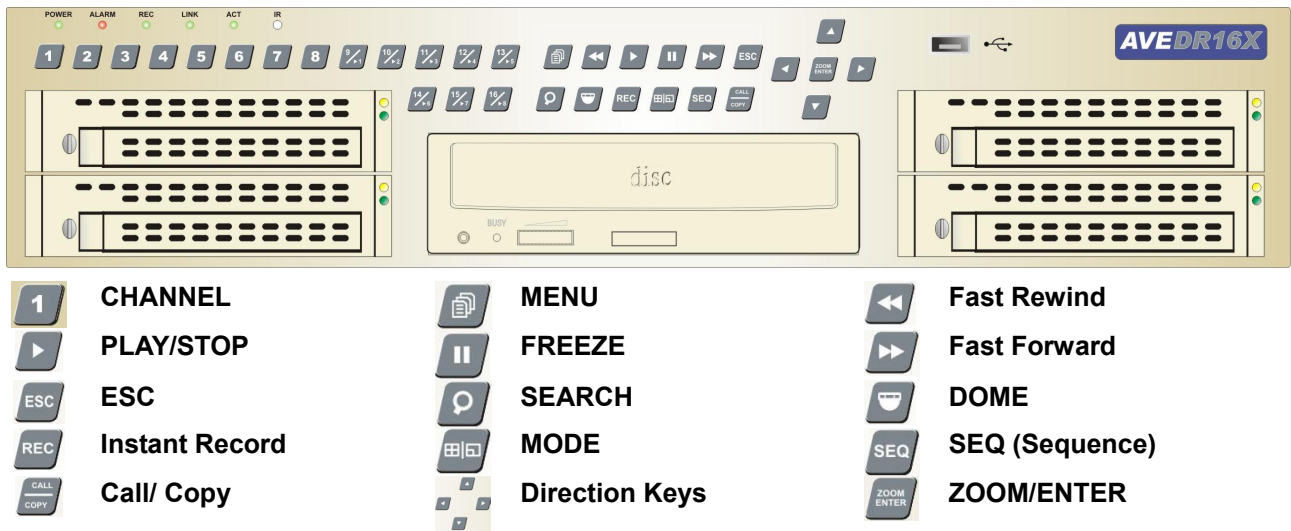
Quick Installation Guide

Package Content

Inspect the packaging carton. Make sure your AVE DR16X / AVE DR8X is properly delivered. Remove all items from the box and make sure the box contains the following items.

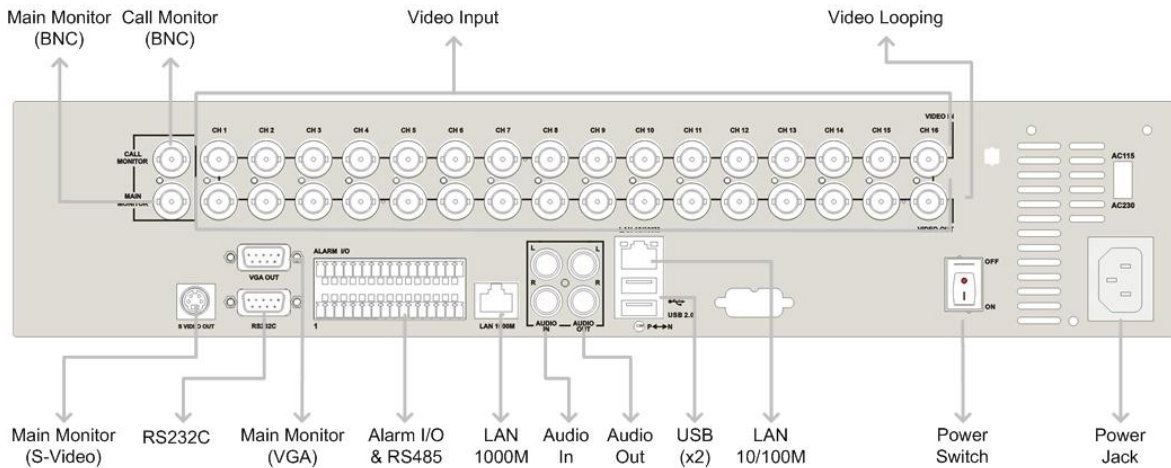


Function Keys on the Front Panel



NOTE: The upper HDDs should be adjusted to “Master”; and remember all HDD cannot be hot-swapped.

Connecting Your DVR



Connector	Description
Main Monitor (S-Video / BNC / VGA)	S-Video, BNC and VGA output connectors are offered for connecting to a main monitor.
Call Monitor (BNC)	The call monitor is used to display full screen video of all installed cameras in sequence. The BNC Call Monitor connector allows user to connect the Full-Featured MPEG-4 series DVR with an optional call monitor.
Video Input	16 BNC connectors are offered for video input streams from installed cameras.
Video Looping	Plenty of BNC connectors are positioned on the rear panel for looping out the video input.
RS-232C	The unit provides a RS-232C communication port for sending and receiving signals.
Alarm I/O & RS485	The unit provides an alarm I/O and RS485 port that offers user the flexibility required to connect the unit to other devices.
LAN 100M	Used for connecting the unit to a network-attached storage device (NAS).
Audio In / Out	Audio In RCA connector is offered for connecting an audio source device to the unit; Audio Out RCA connector is offered for connecting an audio output device to the unit.
USB Connector	Two USB 2.0 ports on the rear panel for users to connect external USB devices to the unit.
LAN 10/100M (RJ-45)	The Full-Featured MPEG-4 series DVR is capable of networking. The LAN port opens the door of DVR to Ethernet where by the Internet.
Power Jack	The Full-Featured MPEG-4 series DVR has a AC power connection jack. Please connect the power supply that ships with the unit. NOTE: Use of other power supply may cause overloading.
Power Switch	Used to power up and shut down the unit.

Alarm I/O & RS485 Pin Definition:

Pin	Definition	Pin	Definition	Pin	Definition
1	Ground	12	Normal Open 3	23	Alarm In 7
2	Normal Close 1	13	Ground	24	Alarm In 8
3	Common Node 1	14	RS485 D+	25	Alarm In 9
4	Normal Open 1	15	RS485 D-	26	Alarm In 10
5	Ground	16	Ground	27	Alarm In 11
6	Normal Close 2	17	Alarm In 1	28	Alarm In 12
7	Common Node 2	18	Alarm In 2	29	Alarm In 13
8	Normal Open 2	19	Alarm In 3	30	Alarm In 14
9	Ground	20	Alarm In 4	31	Alarm In 15
10	Normal Close 3	21	Alarm In 5	32	Alarm In 16
11	Common Node 3	22	Alarm In 6		

Basic Setup

Follow the description to set up the DVR for date/time, recording and viewing video. All configurations can be set via either DVR front panel or **DVRRemote**, the remote software, on PC through LAN.

Enter OSD Setup menu:

- Press **MENU** to enter the OSD menu.
- Enter password using Channel keys. The default passwords are as below.

Administrator Password	User Password
1 2 3 4	4 3 2 1

- Strongly suggest changing the passwords to prevent unauthorized access.

Date / Time Setting:

- Select <**Date/Time**> in **System Setup** menu to enter the **Date/Time** menu.
- Select the date and time using **LEFT/RIGHT** keys; then adjust the value using **UP/DOWN** keys.
- The new date and time settings take effect after confirm the changes.

To Define Recording Settings:

- Select <**Record Setup**> from the Main menu.
- Select a Preset Configuration setting from <**Best Quality**>, <**Standard**> and <**Extended Record**>.
- Adjust the Recording schedule, Pre-alarm, Circular and Audio parameters.
- When the settings are complete, press **ENTER** to confirm and save the settings; or **ESC** to abort.

To Select Viewing Mode:

- Press **MODE** button repeatedly to select the wanted display mode. The available viewing modes are full-screen, 2x2 and 4x4 split-window.

Network Setup

Using LAN / Cable Modem:

Use the LAN setup when you plan to use a LAN, WAN, or Internet connection without a dialup modem. It requires an Ethernet connection to a network. The default ID of your **Full-Featured MPEG-4** series DVR must be changed to avoid network conflicts.

- From Main menu, select <**System Setup**>→<**Network Setup**>, set the <**LAN Select**> item to <**LAN**> or <**PPPoE**> according to your network application, and enter <**LAN Setup**>.

- For DHCP user, set the DHCP to **<ON>**. The IP address, Netmask, Gateway and DNS settings are retrieved from network servers. DHCP is dynamic; the settings will change from time to time.
- For Non-DHCP user, set the DHCP to **<OFF>**. You must enter an IP address, Netmask, Gateway and DNS settings. Please obtain these settings from your network service provider.
- To change the IP address, Netmask, Gateway and DNS value, press **UP/DOWN** keys to move the cursor to the item. Use **LEFT/RIGHT** keys to access each section of the value and press **ENTER**, then change the value using **UP/DOWN** keys.
- PPPoE users must set the **<PPPoE Account>**, **<PPPoE Password>** and **<PPPoE Max Idle>** as well.
- When the settings are complete, press **ENTER** to confirm and save the settings, or **ESC** to abort.

Connecting Remote PC with the DVR via Modem:

DVR Configuration>>

- Connect an USB modem to the USB socket and connect a working phone line to the modem.
- Press **MENU** and input the Administrator password to access the OSD Main menu. Select **<Network Setup>** and then **<Dial-in Setup>** to set up the Dial-In settings, including Dial-in Account, Password, Server and Client IP, etc.

PC Configuration>>

- On your Windows PC, click **<Start>**, **<My Network Places>**, **<View Network Connections>**, **<Create New Connection>** to select **<Connect using dialup modem>** to connect to the internet through phone line.
- Enter the phone number of the modem that is connected to the DVR.
- Enter the Dial-in Account and Password that are specified in local DVR. Click **<Finish>** to establish the connection.

Establishing Dial-up Modem Connection from the DVR for Remote Notification:

DVR Configuration>>

- Connect an USB modem to the USB socket and connect a working phone line to the modem.
- Press **MENU** and input the Administrator password to access the OSD Main menu. Select **<Network Setup>** and then **<Dial-out Setup>** to set up the Dial-out settings, including Dial-out IP, Phone Number, Dial-out Account, etc.

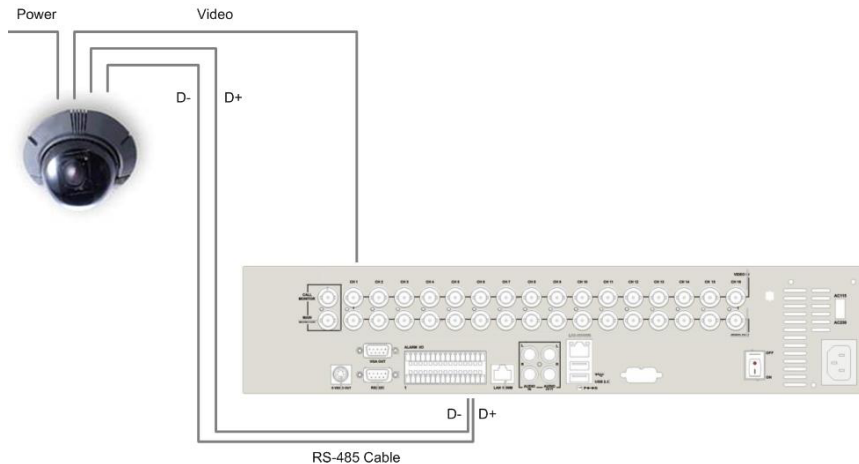
PC Configuration>>

- On your PC, use the Network Connection Wizard to **<Accept incoming connections>**.
- Enter the Dial-out Account and Password that are specified in local DVR.
- Select network connection type to assign TCP/IP address for the PC. Click **<Finish>** to complete the process.

Dome Control

Dome Connection & Settings:

- See section Connecting Your DVR for RS-485 port pin definition.
- Refer to the following figure. Connect the R+, R- terminals on the dome camera to the D+, D- terminals on the RS-485 port by RS-485 cable respectively.



- To set up dome protocol and ID, press **MENU** to access the Main menu, and select **<Camera Setup>**. The available protocols include **<DynaColor>**, **<Pelco D>**, **<Pelco P>**, **<AD422>** and **<None>** (default). Note that ID number must match the ID address defined by the dome.
- To configure the RS-485 parameters, select **<System Setup>** from Main menu, and then select **<RS485 Setup>**. The default **Full-Featured MPEG-4** series DVR RS-485 settings are 9600 Baud, 8 Data Bits, 1 Stop Bit and No Parity.

Dome Control Button:



1	Set / Go Preset	2	Toggle Hint Screen		Iris Open
SEQ	Focus Near		Zoom In	ESC	ESC
ZOOM ENTER	Auto / Enter		Iris Close		Focus Far
	Zoom Out		Pan / Tilt		

Basic Playback Operation

Searching Recorded Video by Time:

- Press **SEARCH** button to enter the Search menu; the From Time and End Time of the available video is listed on top of the screen. The value is unchangeable.
- Use Direction buttons to move the cursor for setting the Start Time; adjusting the date and time values by **UP/DOWN** keys. Press **ENTER** to confirm or **ESC** to abort.
- Move the cursor to **<Begin Playback>** and press **ENTER** to start playing back the selected video. Either press **PLAY/STOP** again or **ESC** to return to live video.



NOTE: If there is no available recorded video that matches your specified time and date, the unit starts to playback from the next available video.

Searching Recorded Video by Event:

- Press **SEARCH** button to enter the **Search** menu.
- To search event video that was recorded on a specific camera, use **LEFT/RIGHT** keys to move the cursor and press **ENTER** to select or de-select a channel.
- Move the cursor to **<Event List>** and press **ENTER** to list the event video of the selected channels.
- The list displays each event by date, time, triggered camera and alarm type. The latest recorded event video will be listed on the top. To exit the event list, press **ESC**.
- Use **UP/DOWN** to scroll through the Event List. Press **ENTER** to play back the selected event record.



NOTE: The event list displays only the first 1024 events; as some events are deleted, others are displayed.

Playback Controls:

Button	Description
LEFT	The button is for rewinding the recorded video while playing back. Press the button repeatedly to increase the speed of reverse playback by 1x, 2x, 4x, 8x, 16x, or 32x.
RIGHT	The button is used to play the recorded video fast forward. Press the button repeatedly to increase the speed of forward playback by 1x, 2x, 4x, 8x, 16x, or 32x.
FREEZE	Press FREEZE to pause the playback video. When the recorded video is paused, press LEFT / RIGHT to resume playback video single step reverse / forward respectively. Press FREEZE again to continue playing video.
Play/Stop	Press to stop playing back video and back to live mode.

Using Remote Software

Setup Requirements:

- Network connection to PC.
- IP address of your **Full-Featured MPEG-4** series DVR. To check the DVR's IP address, press **MENU** key on the unit and enter password to access OSD Main menu; select **<System Setup>**, **<Network Setup>**, then **<LAN Setup>** to check the IP.

Changing Internet Setting:

- Start the IE; select **<Tools>** from the main menu of the browser, then **<Internet Options>** and then click the **<Security>** tab.
- Select **<Trusted sites>** and click **<Sites>** to specify its security setting.
- Disable Require server verification (https:) for all sites in this zone. Type the IP address of the unit in field and click **<Add>** to add this website to the zone.
- In the Security Level area, click **<Custom Level>**. Under **<All ActiveX controls and plug-ins>**, set all items to **<Enable>** or **<Prompt>**.
- Click **<OK>** to accept the settings and close the **<Security>** screen.

Using the Remote Software:

- Start the IE and enter the IP address of your **Full-Featured MPEG-4** series DVR in the address field.
- The ActiveX controls and plug-ins dialog will show twice for confirmation, click **<YES>** to accept ActiveX plug-ins. The **DVRRemote** plug-ins will be downloaded and installed on your PC automatically when the connection is successfully made.



NOTE: Do not enter any leading 0 characters in the address, for example, "192.068.080.006" should be entered "192.68.80.6".



NOTE: If the default trigger port 80 is changed into another one, port 81 for example, you should enter the IP address as "192.68.80.6:81".

- Version verification starts automatically to verify whether **DVTRemote** was installed. This process may take up to 30 seconds.
- When the software is completely downloaded, the Login Screen is displayed.
- Enter your username and password. The default usernames and passwords are admin: 1234, user: 4321.



For more information on **DVRRemote**, see **DVRRemote** user's manual.

DVRRemote Playback

To Playback Remote Video:

- Click **<Play>** on the top of the main window toolbar, and then **<Remote Playback>** tab.
- The **<From>** and **<To>** on the top of the screen display the date and time from which recorded video is available for playback.
- Select the date and time of the segment to play back from the **<Start>** field. You can change the date and time either by typing desired numbers directly or using the arrow buttons.
- Select the camera(s) you want to play back. Click **<Clear>** to clear all of the camera entry selections, and click **<All>** to select all of the camera entries.
- Click **<OK>** to start the operation, or click **<Close>** to abort.

To Playback Local *.drv File:

- Click **<Open>** and the file selection screen is displayed. Select the *.drv video file to playback and click **<OK>**.
- Click **<OK>** in the **<Local Playback>** Screen to start the operation, or click **<Cancel>** to abort the playback.
- View the video playback using the Playback controls.
- After playback, click **<Live>** to return to live video.

To Playback Local *.avi Files:

- Start your windows media player or other media player from <Start> menu (or any other possible access).
- Select <File> and then <Open>.
- Select the wanted *.avi file, and click <Open>.



NOTE: The *.avi files stored for each channel are separated, and therefore the video can be played back in single channel, full screen mode only.

To Playback Event Recording

- Click SEARCH button positioned in the Main Window Toolbar. The Alarm List appears.
- Scroll through the events in the Alarm List and highlight the event of interest.
- Double-click on the desired event to view the alarm recording.

Playback Controls:

